



## 16 in. 70/30 Copper Nickel Cap. CL200 Rating, Butt weld Connection 810-1385880

<u>Item No.</u>	M110925	<u>UOM</u>	EA
-----------------	---------	------------	----

[View Product Online to Request Quote](#)

### Specifications

Type	Cap
Size	16 in.
Material	Copper Nickel
Material Grade	70/30 Copper Nickel
Pressure Class	CL200
Connection	Butt weld
Specification	
NAVSEA Dwg.	810-1385880
Market	Navy

Product URL: <https://torksystems.com/M110925>

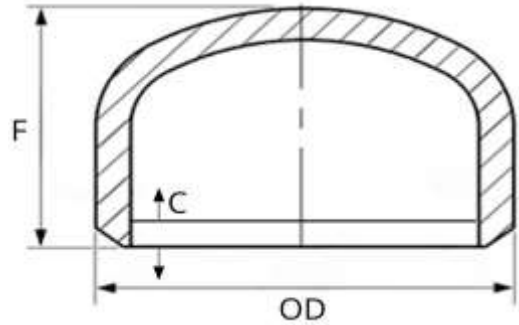
# CAP

## NAVSEA DWG 810-1385880

### Buttweld, Class 200

90/10 Copper Nickel (UNS C70600)

70/30 Copper Nickel (UNS C71500)



DIMENSIONS						
NOMINAL PIPE SIZE	OD	C	F	WEIGHT (lb)	TORK P/N 90/10	TORK P/N 70/30
1	1.315	0.5	1.5	0.2	<a href="#">M110063</a>	<a href="#">M110911</a>
1 1/4	1.66	0.56	1.5	0.2	<a href="#">M110064</a>	<a href="#">M110912</a>
1 1/2	1.9	0.69	1.5	0.2	<a href="#">M110065</a>	<a href="#">M110913</a>
2	2.375	0.72	1.5	0.5	<a href="#">M110066</a>	<a href="#">M110914</a>
2 1/2	2.875	0.88	1.5	0.8	<a href="#">M110067</a>	<a href="#">M110915</a>
3	3.5	0.91	2	1	<a href="#">M110068</a>	<a href="#">M110916</a>
3 1/2	4	0.94	2.5	1.5	<a href="#">M110069</a>	<a href="#">M110917</a>
4	4.5	0.97	2.5	2	<a href="#">M110070</a>	<a href="#">M110918</a>
5	5.563	1.09	3	3	<a href="#">M110071</a>	<a href="#">M110919</a>
6	6.625	1.17	3.5	4.5	<a href="#">M110072</a>	<a href="#">M110920</a>
8	8.625	1.38	4	7	<a href="#">M110073</a>	<a href="#">M110921</a>
10	10.75	1.56	5	14	<a href="#">M110074</a>	<a href="#">M110922</a>
12	12.75	1.69	6	27	<a href="#">M110075</a>	<a href="#">M110923</a>
14	14			28	<a href="#">M110076</a>	<a href="#">M110924</a>
16	16			37	<a href="#">M110077</a>	<a href="#">M110925</a>
18	18			47	<a href="#">M110078</a>	<a href="#">M110926</a>
20	20			49	<a href="#">M110079</a>	<a href="#">M110927</a>
24	24			51	<a href="#">M110080</a>	<a href="#">M110928</a>

The information provided is presented "as-is" at time of publication and is intended for reference purposes only.

Designs, specs information may be altered at any time without notice.