

**3/8 in. Bronze 90 Degree Elbow. 400 lb Rating, Sil-braze Connection, Long Radius MIL-F-1183**



<u>Item No.</u>	M112471	<u>Weight (lb)</u>	0.2
		<u>UOM</u>	EA

[View Product Online to Request Quote](#)

**Specifications**

Type	90 Degree Elbow
Item Remarks	Long Radius
Size	3/8 in.
Material	Bronze, Brass, Al-Brz
Material Grade	Bronze
Pressure Class	400 lb
Connection	Sil-braze
Specification	MIL-F-1183
Compare to	605111.060
Market	Navy

Product URL: <https://torksystems.com/M112471>

MILITARY SPECIFICATION SHEET

FITTINGS, PIPE, CAST BRONZE, SILVER-BRAZING; ELBOW, PIPE

This specification is approved for use by all Departments and Agencies of the Department of Defense.

The complete requirements for acquiring the elbows described herein shall consist of this document and the latest issue of specification MIL-F-1183.

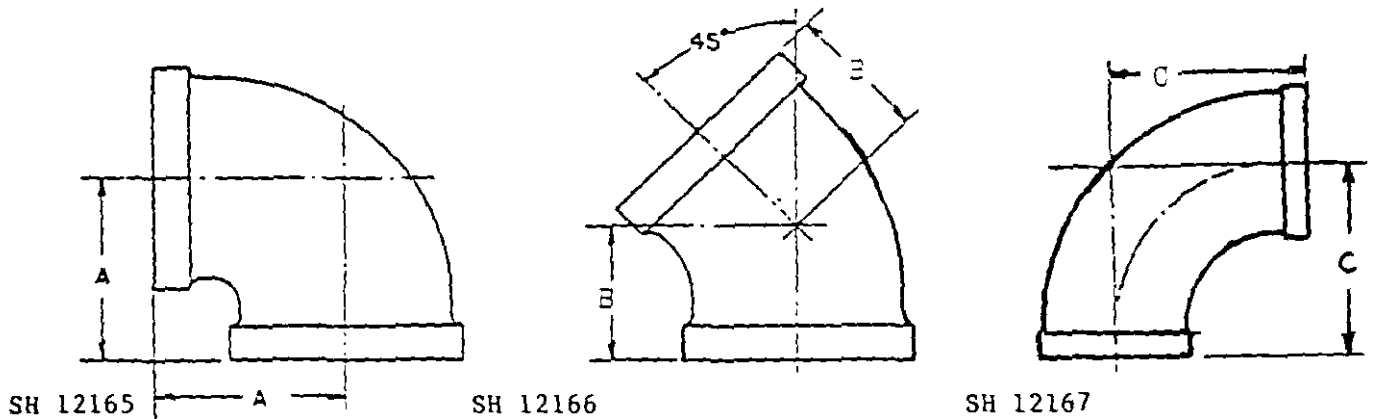


FIGURE 1. Elbow, 90 degree. FIGURE 2. Elbow, 45 degree. FIGURE 3. Elbow, 90 degree, long turn.

TABLE I. Center-to-end dimensions.

Nominal pipe size (Inches)	Center-to-end (Inches)		
	A	B	C
1/4	0.71	0.56	1.25
3/8	.82	.63	1.50
1/2	1.01	.78	1.75
3/4	1.18	.89	2.00
1	1.43	1.06	2.31
1-1/4	1.69	1.22	2.75
1-1/2	1.84	1.30	3.13
2	2.12	1.45	3.75
2-1/2	2.70	1.95	4.50
3	3.08	2.17	5.44
3-1/2	3.42	2.39	6.19
4	3.79	2.61	6.94
5	4.50	3.05	8.13
6	5.13	3.46	9.00
8	6.56	4.28	10.00
10	8.08	5.16	11.00
12	9.50	5.97	---