

1-1/4 in. Malleable Iron Union. Class 300 Rating, Threaded Connection



<u>Item No.</u>	M117523	<u>UOM</u>	EA
-----------------	---------	------------	----

[View Product Online to Request Quote](#)

Specifications

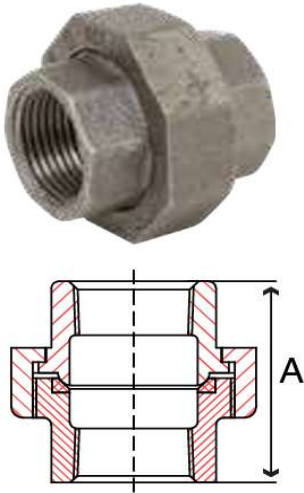
Type	Union
Size	1-1/4 in.
Material	Iron
Material Grade	Malleable Iron
Pressure Class	Class 300
Connection	Threaded
Specification	ASME B16.3
Market	Commercial

Product URL: <https://torksystems.com/M117523>

Malleable Iron Threaded Fittings - Class 150



Union with Brass Seat

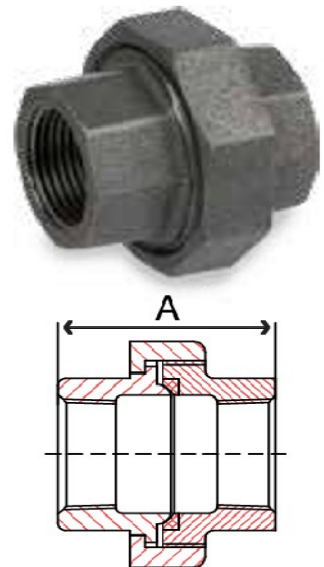


Size in	A in	Packing		Weight lb
		Inner	Master	
1/8	1.32	30	480	0.1
1/4	1.44	20	240	0.2
3/8	1.61	20	160	0.3
1/2	1.72	40	160	0.4
3/4	2.02	40	80	0.5
1	2.19	30	60	0.9
1-1/4	2.26	20	40	1.3
1-1/2	2.47	15	30	2.2
2	2.75	10	20	3.3
2-1/2	3.25	-	10	4.8
3	3.54	-	7	6.8
4	3.85	-	4	12.2

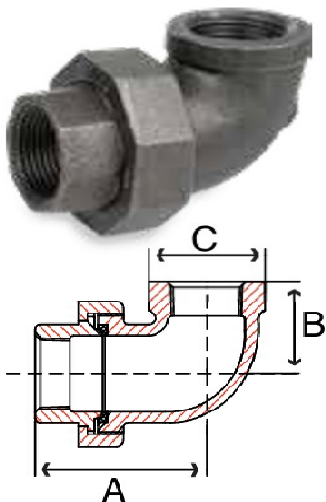
Malleable Iron Threaded Fittings - Class 300

Union with Brass Seat

Size in	A in	Packing		Weight lb
		Inner	Master	
1/4	1.55	100	200	0.3
3/8	1.71	60	120	0.4
1/2	1.81	40	80	0.5
3/4	2.12	20	40	0.8
1	2.31	25	50	1.1
1-1/4	2.66	15	30	1.9
1-1/2	2.85	12	24	2.5
2	3.23	6	12	3.6
2-1/2	3.33	4	8	5.1
3	4.09	4	8	7.8
4	4.47	-	4	13.1



Union Elbow with Brass Seat*



Size in	A in	B in	C in	Packing		Weight lb
				Inner	Master	
1/2	2.16	0.98	1.20	40	80	0.3
3/4	2.36	1.14	1.46	30	60	0.9
1	2.81	1.34	1.77	20	40	1.3
1-1/4	3.23	1.61	2.15	10	20	2.0
1-1/2	3.53	1.80	2.43	10	20	2.5
2	4.10	2.14	2.96	5	10	3.7

* Made from ductile iron