

3 in. Carbon Steel A234 WPB 90 Degree Elbow. STD / Schedule 40 Rating, Butt weld Connection, Long Radius. ANSI B169



<u>Item No.</u>	M117857	<u>UOM</u>	EA
-----------------	---------	------------	----

[View Product Online to Request Quote](#)

Specifications

Type	90 Degree Elbow
Item Remarks	Long Radius
Size	3 in.
Material	Steel
Material Grade	Carbon Steel A234 WPB
Pressure Class	STD / Schedule 40
Connection	Butt weld
Specification	ANSI B16.9
Compare to	614111.500
Market	Commercial

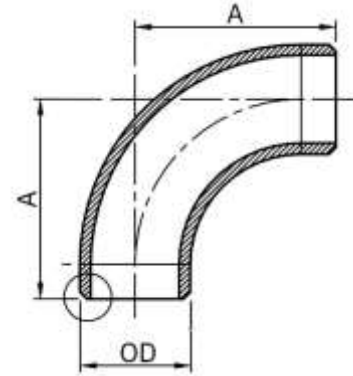
Product URL: <https://torksystems.com/M117857>

LONG RADIUS 90 DEGREE ELBOW

ANSI B16.9

Buttweld, SCH40

Steel



DIMENSIONS				
NOMINAL PIPE SIZE	OD	A	WEIGHT (lb)	TORK P/N
1/2	0.840	1.94	0.10	M117844
3/4	1.050	1.59	0.10	M117846
1	1.315	2.00	0.20	M117848
1 1/4	1.660	2.44	0.30	M117850
1 1/2	1.900	2.94	0.50	M117852
2	2.375	3.72	0.80	M117854
2 1/2	2.875	4.63	1.00	M117856
3	3.500	5.41	2.00	M117858
3 1/2	4.000	6.25	3.00	M117860
4	4.500	6.97	5.00	M117862
5	5.563	8.59	9.00	M117864
6	6.625	10.17	15.00	M117866
8	8.625	13.38	34.00	M117868
10	10.750	16.56	67.00	M117870
12	12.750	19.69	96.00	M117872
14	14.000	21.50	120.00	M117874
16	16.000	24.25	157.00	M117876
18	18.000	27.50	197.00	M117878
20	20.000	30.50	243.00	M117880
22	22.000	33.50	294.00	Inquire
24	24.000	36.50	350.00	M117882
30	30.000	45.50	544.00	Inquire
36	36.000	54.50	781.00	Inquire

The information provided is presented "as-is" at time of publication and is intended for reference purposes only.

Designs, specs information may be altered at any time without notice.