



2 in. Carbon Steel A234 WPB 45 Degree Elbow. XH / Schedule 80 Rating, Butt weld Connection

<u>Item No.</u>	M118201	<u>UOM</u>	EA
-----------------	---------	------------	----

[View Product Online to Request Quote](#)

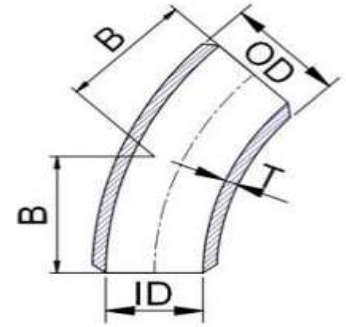
Specifications

Type	45 Degree Elbow
Size	2 in.
Material	Steel
Material Grade	Carbon Steel A234 WPB
Pressure Class	XH / Schedule 80
Connection	Butt weld
Specification	

Product URL: <https://torksystems.com/M118201>

Butt-Weld Fittings

3R 45° Elbows



Pipe Size	Outside Diameter	Inside Diameter	Wall Thickness	Center to End	Pipe Schedule Number	Approx. Weight in Pounds
	O.D.	I.D.	T	B		
3/4	1.05	0.824	0.113	0.94	40/STD	0.5
1	1.32	1.054	0.133	1.25	40/STD	0.7
1 1/4	1.66	1.38	0.14	1.56	40/STD	1
1 1/2	1.9	1.61	0.145	1.88	40/STD	1.3
2	2.38	2.072	0.154	2.5	40/STD	1.5
2 1/2	2.88	2.474	0.203	3.12	40/STD	1.75
3	3.5	3.068	0.216	3.75	40/STD	3
3 1/2	4	3.548	0.226	4.38	40/STD	5
4	4.5	4.026	0.237	5	40/STD	9
5	5.56	5.044	0.258	6.19	40/STD	16
6	6.62	6.06	0.28	7.44	40/STD	22.5
8	8.62	7.976	0.322	9.94	40/STD	45
10	10.75	10.02	0.365	12.44	40/STD	80
12	12.75	12	0.375	14.88	STD	120
14	14	13.25	0.375	17.38	30/STD	150
16	16	15.25	0.375	19.88	30/STD	193
18	18	17.25	0.375	22.38	STD	248
20	20	19.25	0.375	24.88	20/STD	308
24	24	23.25	0.375	29.81	20/STD	440

Pipe Size	Outside Diameter	Inside Diameter	Wall Thickness	Center to End	Pipe Schedule Number	Approx. Weight in Pounds
	O.D.	I.D.	T	B		
3/4	1.05	0.742	0.154	0.94	80/XH	0.16
1	1.32	0.962	0.179	1.25	80/XH	0.28
1 1/4	1.66	1.278	0.191	1.56	80/XH	0.45
1 1/2	1.9	1.5	0.2	1.88	80/XH	0.61
2	2.38	1.944	0.218	2.5	80/XH	1.2
2 1/2	2.88	2.328	0.276	3.12	80/XH	2
3	3.5	2.9	0.3	3.75	80/XH	3.3
3 1/2	4	3.364	0.318	4.38	80/XH	4.5
4	4.5	3.826	0.337	5	80/XH	6.2
5	5.56	4.81	0.375	6.19	80/XH	10.5
6	6.62	5.756	0.432	7.44	80/XH	17
8	8.62	7.62	0.5	9.94	80/XH	34.3
10	10.75	9.75	0.5	12.44	60/XH	53.5
12	12.75	11.75	0.5	14.88	XH	77.6
14	14	13	0.5	17.38	XH	100
16	16	15	0.5	19.88	40/XH	134
18	18	17	0.5	22.38	XH	170
20	20	19	0.5	24.88	30/XH	209
24	24	23	0.5	29.81	XH	302

Pipe Size	Outside Diameter	Inside Diameter	Wall Thickness	Center to End	Pipe Schedule Number	Approx. Weight in Pounds
	O.D.	I.D.	T	A		
12	12.75	11.938	0.406	14.88	40	160
14	14	13.124	0.438	17.38	40	270
16	16	15	0.5	19.88	40	360
18	18	16.876	0.562	22.38	40	490
20	20	18.812	0.594	24.88	40	615
24	24	22.624	0.688	29.81	40	775

Pipe Size	Outside Diameter	Inside Diameter	Wall Thickness	Center to End	Pipe Schedule Number	Approx. Weight in Pounds
	O.D.	I.D.	T	A		
10	10.75	9.562	0.594	12.44	80	150
12	12.75	11.374	0.688	14.88	80	200
14	14	12.5	0.75	17.38	80	337.5
16	16	14.312	0.844	19.88	80	450
18	18	16.124	0.938	22.38	80	612.5
20	20	17.938	1.031	24.88	80	768.75
24	24	21.562	1.219	29.81	80	968.75