

3/4 in. Carbon Steel, Forged 90 Degree Elbow. 2000 lb Rating, Threaded Connection. ANSI B1611

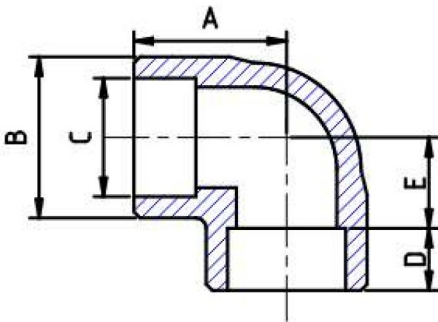


<u>Item No.</u>	M118503	<u>UOM</u>	EA
-----------------	---------	------------	----

[View Product Online to Request Quote](#)

Specifications

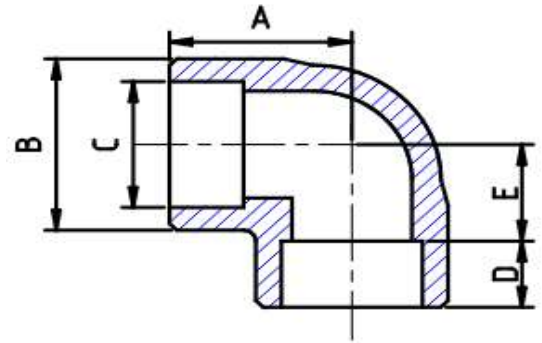
Type	90 Degree Elbow
Size	3/4 in.
Material	Steel
Material Grade	Carbon Steel, Forged
Pressure Class	2000 lb
Connection	Threaded
Specification	ANSI B16.11
Market	Commercial



Product URL: <https://torksystems.com/M118503>

Forged Steel Fittings

90° Elbow - ASME B16.11



Threaded

CLASS	DIMENSIONS	SIZES (INCHES)											
		1/8	1/4	3/8	1/2	3/4	1	1 1/4	1 1/2	2	2 1/2	3	4
2000	A		7/8	31/32	1 1/8	1 5/16	1 1/2	1 3/4	2	2 3/8	3	3 3/8	4 3/16
	B		29/32	1 1/16	1 5/16	1 9/16	1 27/32	2 7/32	2 1/2	3 1/32	3 5/8	4 5/16	5 3/4
	WEIGHT		0.23	0.29	0.48	0.75	1.08	1.59	2.19	3.52	7.09	11.33	25.08
3000	A	7/8	31/32	1 1/16	1 5/16	1 1/2	1 3/4	2	2 3/8	2 1/2	3 1/4	3 3/4	4 1/2
	B	29/32	1 1/16	1 5/16	1 9/16	1 27/32	2 7/32	2 1/2	3 1/32	3 11/32	4	4 3/4	6
	WEIGHT	0.27	0.35	0.58	0.97	1.42	2.29	2.77	5.43	5.87	11.03	17.50	33.20
6000	A	31/32	1 1/8	1 5/16	1 1/2	1 3/4	2	2 3/8	2 1/2	3 1/4	3 3/4	4 3/16	4 1/2
	B	1 1/16	1 5/16	1 9/16	1 27/32	2 7/32	2 1/2	3 1/32	3 11/32	4	4 3/4	5 3/4	6
	WEIGHT	0.37	0.65	1.05	1.64	2.69	3.62	6.13	7.84	14.40	22.95	37.12	33.42

Socket Weld

CLASS	DIMENSIONS	SIZES (INCHES)											
		1/8	1/4	3/8	1/2	3/4	1	1 1/4	1 1/2	2	2 1/2	3	4
3000	A	7/8	7/8	31/32	1 1/8	1 5/16	1 1/2	1 3/4	2	2 3/8	3	3 3/8	4 3/16
	B	29/32	29/32	1 1/16	1 5/16	1 9/16	1 27/32	2 7/32	2 1/2	3 1/32	3 11/16	4 3/8	5 3/4
	C	0.420	0.555	0.690	0.855	1.065	1.330	1.675	1.915	2.406	2.906	3.535	4.545
	D MIN.	3/8	3/8	3/8	3/8	1/2	1/2	1/2	1/2	5/8	5/8	5/8	3/4
	E	7/16	7/16	17/32	5/8	3/4	7/8	1 1/16	1 1/4	1 1/2	1 5/8	2 1/4	2 5/8
	WEIGHT	0.25	0.21	0.26	0.45	0.75	1.05	1.52	2.08	3.37	6.67	11.08	22.59
6000	A	7/8	31/32	1 1/8	1 5/16	1 1/2	1 3/4	2	2 3/8	2 1/2	3 1/4	3 3/4	4 1/2
	B	29/32	1 1/16	1 5/16	1 9/16	1 27/32	2 7/32	2 1/2	3 1/32	3 11/32	4	4 3/4	6
	C	0.420	0.555	0.690	0.855	1.065	1.330	1.675	1.915	2.406	2.906	3.535	4.545
	D MIN.	3/8	3/8	3/8	3/8	1/2	1/2	1/2	1/2	5/8	5/8	5/8	3/4
	E	7/16	17/32	5/8	3/4	7/8	1 1/16	1 1/4	1 1/2	1 5/8	2 1/4	2 1/2	2 3/4
	WEIGHT		0.26	0.59	0.97	1.42	2.33	2.96	5.71	6.42	12.16	18.69	34.15
9000	A				1 1/2	1 3/4	2	2 3/8	2 1/2	3			
	B				1 27/32	2 7/32	2 1/2	3 1/32	3 11/32	3 11/16			
	C				0.855	1.065	1.330	1.675	1.915	2.406			
	D MIN.				3/8	1/2	1/2	1/2	1/2	5/8			
	E				1	1 1/8	1 1/4	1 3/8	1 1/2	2 1/8			
	WEIGHT				1.70	2.79	3.81	5.71	8.15	11.26			