

## 2-1/2 in. Bronze Hose Angle Valve. Class 150 Rating, Flanged Connection, Bronze Trim. OKV

<u>Item No.</u>	M102074	<u>UOM</u>	EA
<u>Brand</u>	OKV		

[View Product Online to Request Quote](#)

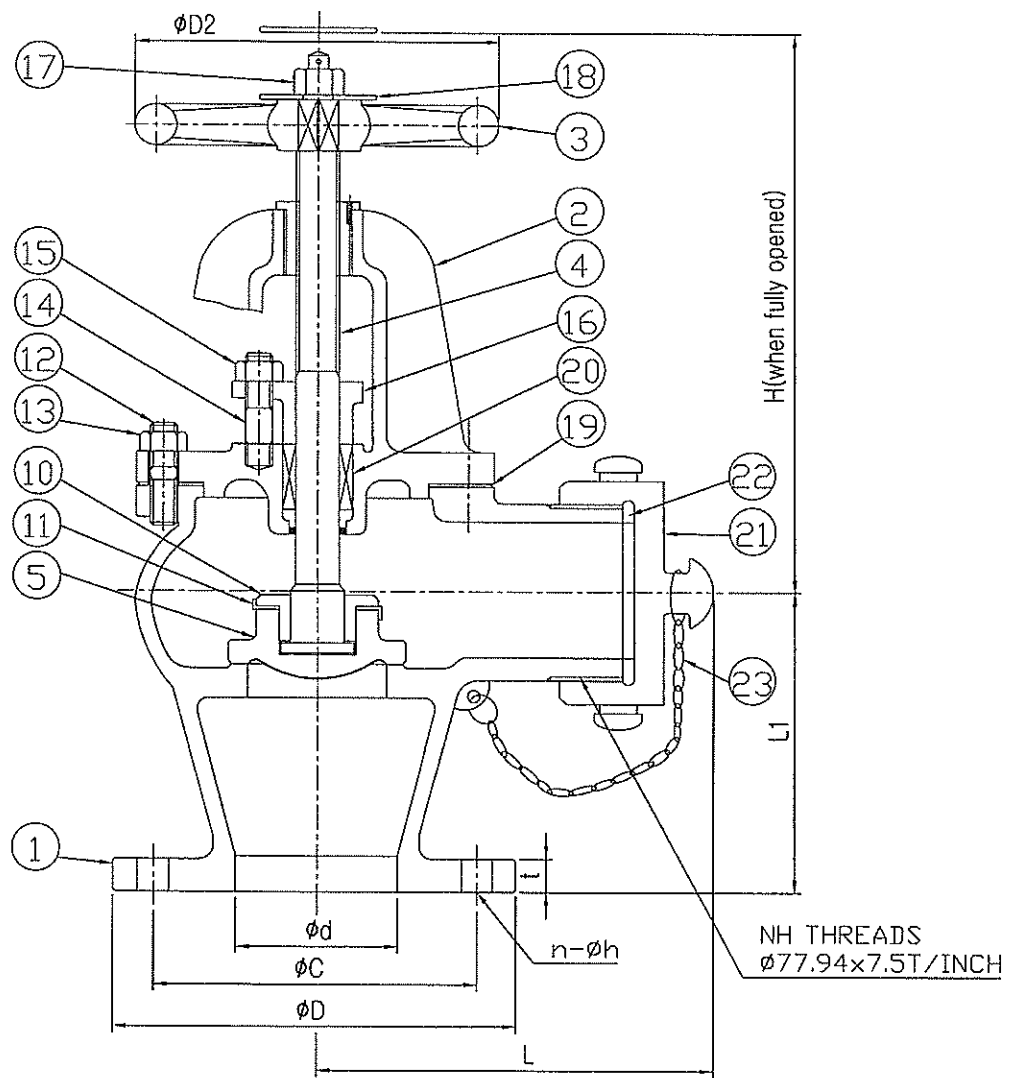
### Specifications

Type	Hose Angle Valve
Size	2-1/2 in.
Material	Bronze, Brass, Al-Brz
Material Grade	Bronze
Trim	Bronze
Pressure Class	Class 150
Connection	Flanged
Specification	ANSI B16.24
Market	Commercial

Product URL: <https://torksystems.com/M102074>

### Hydro' Test Pressure

	KgF/cm <sup>2</sup>	psi
BODY	24.6	350
SEAT	15.8	225



#### NOTE

- \* Applicable Standard
- 1. Flange Dimension : ASME B16.24
- 2. Inspection & Test : API 598

23	Chain	Brass
22	Gasket	Neoprene
21	Cap	B62-C83600
20	Packing	PTFE
19	Gasket	Non-Asbestos
18	Name Plate	Brass
17	Nut	B16-C36000
16	Packing Gland	B62-C83600
15	Nut	
14	Stud Bolt	B16-C36000
13	Nut	
12	Stud Bolt	
11	Disc Holder	B36-C26000
10	Disc Nut	B16-C36000
5	Disc	B62-C83600
4	Stem	B124-C37700
3	Handwheel	A126-CL.B
2	Bonnet	B62-C83600
1	Body	

NO.	COMPONENT	MATERIAL
△		
△		
△	First Issued	
No.	ALTERNATION	
TITLE		
BRONZE, HOSE ANGLE VALVE		
ASME 150Lbs		
DRAWN.	CHEC.	APPRO.
J.H.KANG		
		DATE
		2011.03.31
		SCALE
		TYPE
		Bolted bonnet
		DWG. NO.
		HAV-BC-150P-2.5B

DIMENSION		FLANGE ASME 150Lbs FF								L	L1	H	$\phi D2$	Remark
SIZE	$\phi d$	$\phi D$	$\phi C$	$n-\phi h$	t									
2-1/2"	63.5	180	139.7	4-19.1	14.2	137	108	207	180					

[Unit: mm]

**OKVOK KWANG Engineering Co.,**