



**1-1/4 in. Carbon Steel, Forged Gate Valve.  
 Class 800 Rating, Threaded Connection.  
 ANSI B1634**

|                 |         |            |    |
|-----------------|---------|------------|----|
| <u>Item No.</u> | M102892 | <u>UOM</u> | EA |
|-----------------|---------|------------|----|

[View Product Online to Request Quote](#)

**Specifications**

|                |                      |
|----------------|----------------------|
| Type           | Gate Valve           |
| Size           | 1-1/4 in.            |
| Material       | Steel                |
| Material Grade | Carbon Steel, Forged |
| Pressure Class | Class 800            |
| Connection     | Threaded             |
| Specification  | ANSI B16.34          |
| Market         | Commercial           |

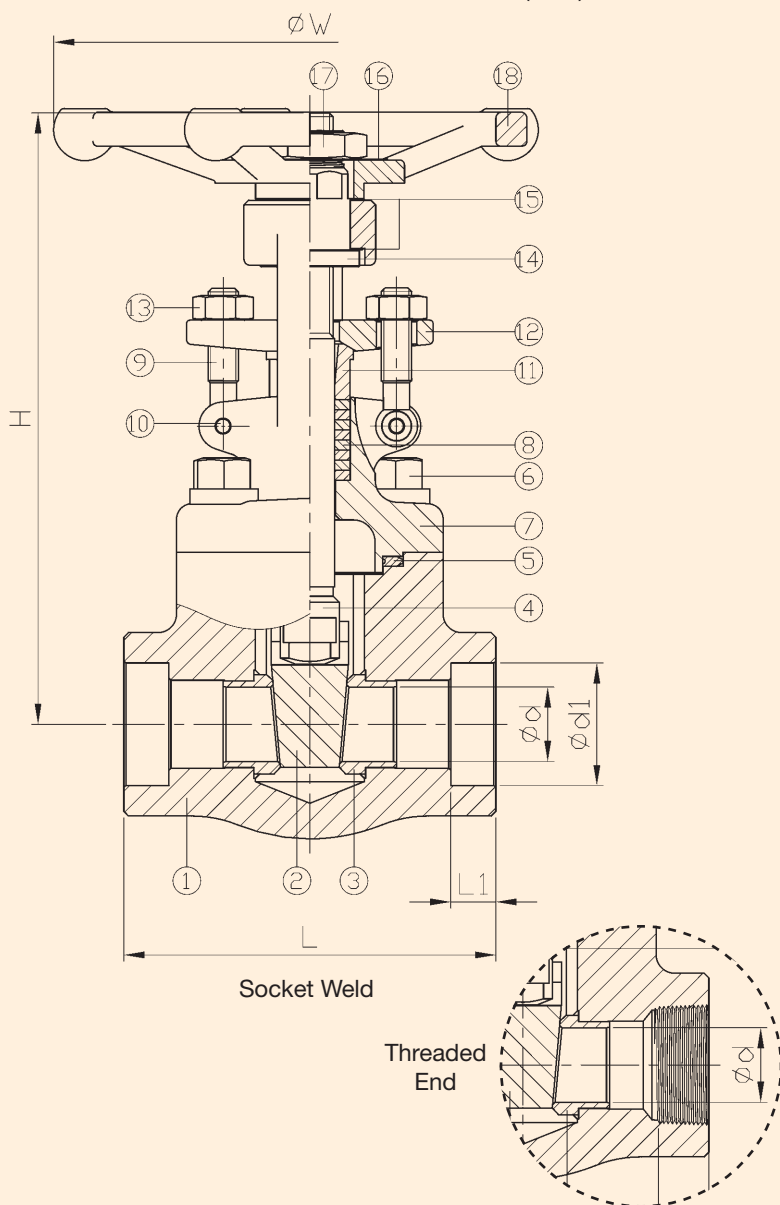
Product URL: <https://torksystems.com/M102892>

# OVC# GA800SW/TE

## Socket Weld End & Threaded End Forged Steel Gate Valve

### Features

- Basic design: API 602
- Test: API 598
- Socket weld dimensions: ASME B16.11
- Screw end dimensions: ASME B1.20.1 (NPT)



| NO. | DESCRIPTION   | MATERIAL                 |
|-----|---------------|--------------------------|
| 1   | BODY          | ASTM A105                |
| 2   | WEDGE         | ASTM A276-420            |
| 3   | SEAT          | ASTM A276-410 + STELLITE |
| 4   | STEM          | ASTM A276-410            |
| 5   | GASKET        | 304 + GRAPHITE           |
| 6   | BOLT          | ASTM A193-B7             |
| 7   | BONNET        | ASTM A105                |
| 8   | PACKING       | GRAPHITE                 |
| 9   | EYE BOLT      | ASTM A193-B7             |
| 10  | PIN           | ASTM A276-304            |
| 11  | GLAND         | ASTM A276-420            |
| 12  | GLAND FLANGE  | ASTM A216-WCB            |
| 13  | NUT           | ASTM A194-2H             |
| 14  | STEM NUT      | ASTM A276-410            |
| 15  | WASHER        | ASTM A276-410            |
| 16  | NAMEPLATE     | ALUMINUM                 |
| 17  | HANDWHEEL NUT | ASTM A108-1020           |
| 18  | HANDWHEEL     | ASTM A197                |

| NPS    | d    | d1   | L    | L1   | H OPEN | H CLOSE | W    | Weight (lb) |
|--------|------|------|------|------|--------|---------|------|-------------|
| 1/4"   | 0.30 | 0.56 | 3.11 | 0.39 | 6.18   | 5.59    | 3.94 | 4.6         |
| 3/8"   | 0.37 | 0.69 | 3.11 | 0.39 | 6.18   | 5.59    | 3.94 | 4.6         |
| 1/2"   | 0.51 | 0.86 | 3.11 | 0.39 | 6.18   | 5.59    | 3.94 | 4.4         |
| 3/4"   | 0.51 | 1.07 | 3.62 | 0.51 | 6.18   | 5.59    | 3.94 | 4.9         |
| 1"     | 0.71 | 1.33 | 4.37 | 0.51 | 7.28   | 6.50    | 4.72 | 7.7         |
| 1-1/4" | 0.94 | 1.68 | 4.72 | 0.51 | 8.90   | 7.87    | 6.30 | 11.7        |
| 1-1/2" | 1.14 | 1.92 | 4.72 | 0.51 | 9.49   | 8.23    | 6.30 | 13.4        |
| 2"     | 1.44 | 2.41 | 5.51 | 0.63 | 10.59  | 9.02    | 8.66 | 21.1        |